

MODEL	A - VOID	MAX. OPENING	B - COVER
WSL - 2	2" (50.80)	3" (76.20)	5" (127.00)
* WSL - 2-2	2" (50.80)	4" (76.20)	5" (127.00)
WSL - 3	3" (76.20)	4 1/2" (114.30)	6" (152.40)
WSL - 3-3	3" (76.20)	6" (152.40)	7" (177.80)
WSL - 4	4" (101.60)	6" (152.40)	7" (177.80)
WSL - 4-4	4" (101.60)	8" (203.20)	9" (228.60)
WSL - 5	5" (127.00)	7 1/2" (190.50)	8 1/2" (215.90)
WSL - 5-5	5" (127.00)	10" (254.00)	11" (279.40)
WSL - 6	6" (152.40)	9" (228.00)	10" (254.00)
WSL - 6-6	6" (152.40)	12" (304.80)	13" (330.20)
WSL - 7	7" (178.80)	10 1/2" (266.70)	11 1/2" (292.10)
WSL - 7-7	7" (177.80)	14" (355.60)	15" (381.00)
WSL - 8	8" (203.20)	12" (304.80)	13" (330.20)
WSL - 8-8	8" (203.20)	16" (406.40)	17" (431.80)
WSL - 9	9" (228.60)	13 1/2" (342.90)	14 1/2" (368.30)
WSL - 9-9	9" (228.60)	18" (457.20)	19"
WSL - 10	10" (254.00)	15" (381.00)	16" (406.40)

MIN. 'B' COVER PLATE = 'A' VOID X (MOVEMENT %) + 1"

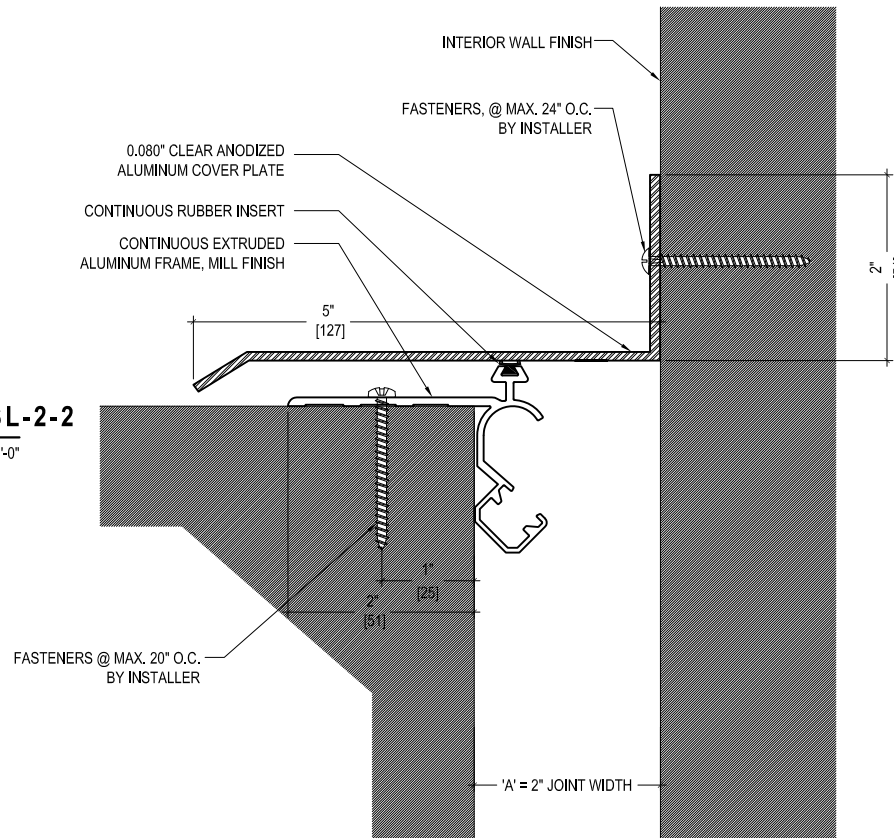
MODEL WSL - 2-2

Application;

- ▶ Exterior walls (W/ Back seal or Vapor Barrier)
- ▶ Exterior ceilings
- ▶ Interior walls
- ▶ Interior Ceilings

MODEL WSL-2-2

SCALE: 6" - 1'-0"



M.H. POWELL & CO., INC.

ARCHITECTURAL SEISMIC EXPANSION JOINT SYSTEMS

2313 YATES AVENUE | PHONE : (323) 887-0037
 COMMERCE, CA 90040 | FAX : (323) 887-0877
 | WEB : www.mhpowell.net

MODEL WSL - 2-2

WALL TO WALL CORNER

PROJECT : _____ PROJECT # : _____

LOCATION : _____ DATE : _____

ARCHITECT : _____

CUSTOMER : _____

PAGE #