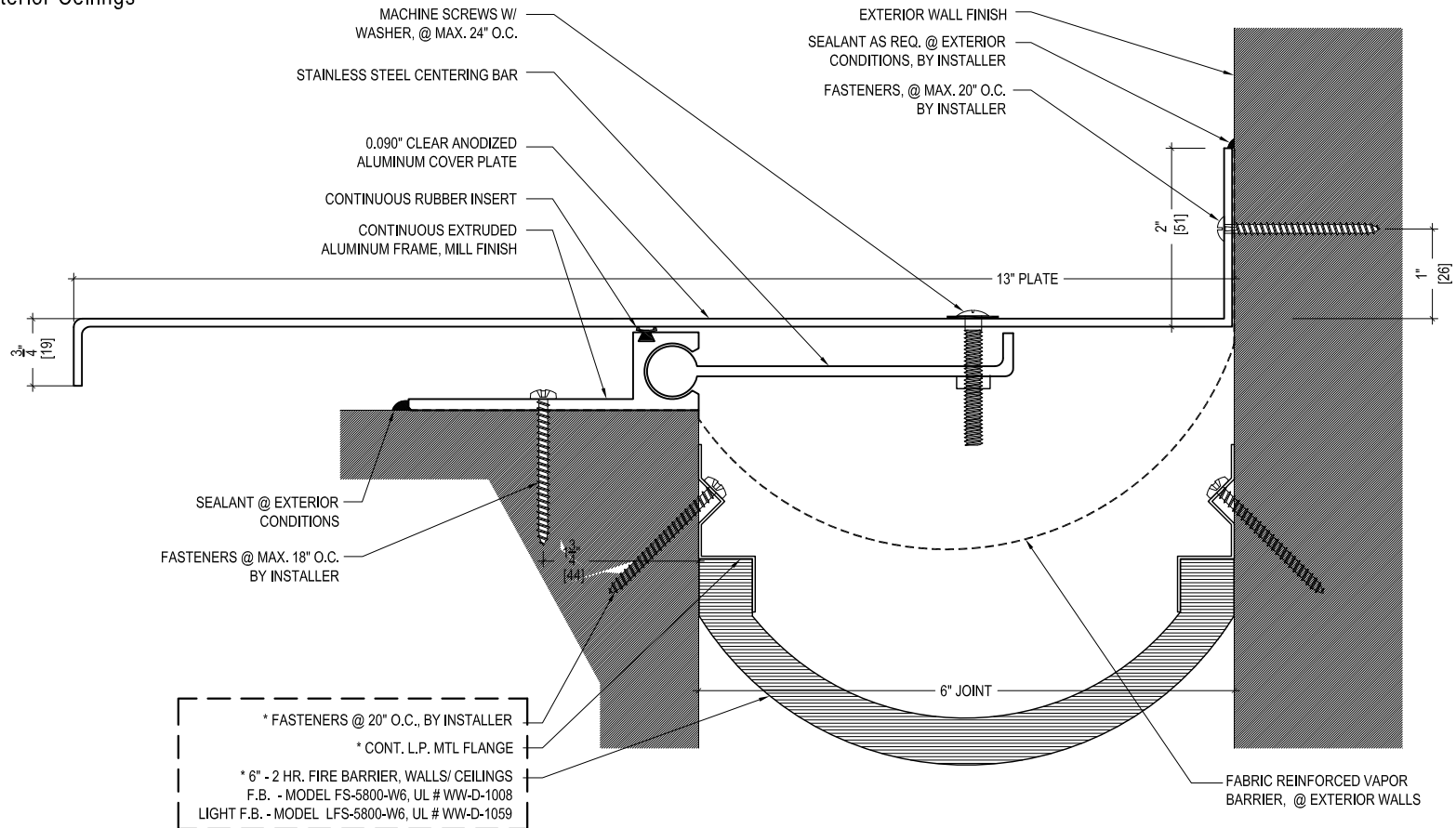


MODEL WEL - 6-6

100% Movement

Application;

- ▶ Exterior walls (W/ Back seal or Vapor Barrier)
- ▶ Exterior ceilings
- ▶ Interior walls
- ▶ Interior Ceilings



M.H. POWELL & CO., INC.

ARCHITECTURAL SEISMIC EXPANSION JOINT SYSTEMS

2313 YATES AVENUE | PHONE : (323) 887-0037
 COMMERCE, CA 90040 | FAX : (323) 887-0877
 WEB : www.mhpowell.net

MODEL WEL - 6-6

PROJECT : _____ PROJECT # : _____

LOCATION : _____ DATE : _____

ARCHITECT : _____

CUSTOMER : _____

PAGE #