

MHP S.S. FASTENERS  
w/ S.S. BONDED NEOPRENE WASHERS  
AND S.S. CENTERING BARS @ 20" O.C.

0.125" ALUM. COVER PLATE. MILL FINISH  
(5052-H32)

CLOSURE CAP

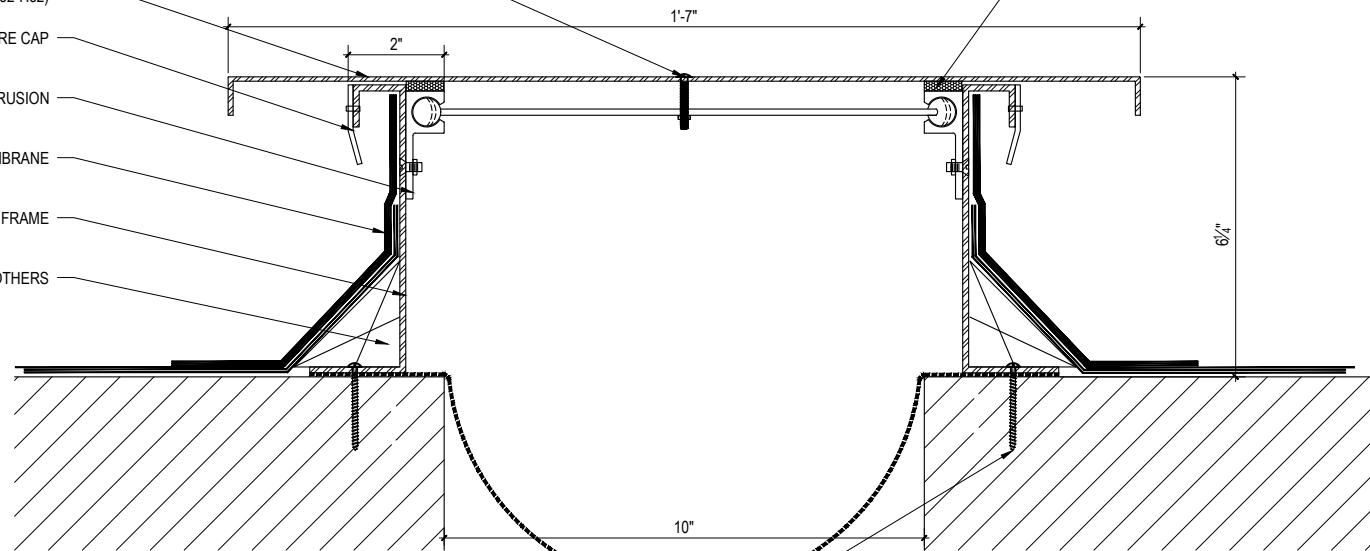
CONT. ALUM. EXTRUSION

ROOF MEMBRANE

ALUM. BASE FRAME

CANT STRIP BY OTHERS

WEATHER SEAL



CONT. MHP VAPOR BARRIER

SEALED 1 1/2" FASTENERS @ 20" O.C. MAX  
BY INSTALLER



**M.H. POWELL & CO., INC.**  
ARCHITECTURAL SEISMIC EXPANSION JOINT SYSTEMS

2313 YATES AVENUE | PHONE : (323) 887-0037  
COMMERCE, CA 90040 | FAX : (323) 887-0877  
WEB : www.mhpowell.net

**MODEL**  
**CRR-10**  
ROOF TO ROOF

PROJECT : \_\_\_\_\_ PROJECT # : \_\_\_\_\_  
LOCATION : \_\_\_\_\_ DATE : \_\_\_\_\_  
ARCHITECT : \_\_\_\_\_  
CUSTOMER : \_\_\_\_\_

PAGE #