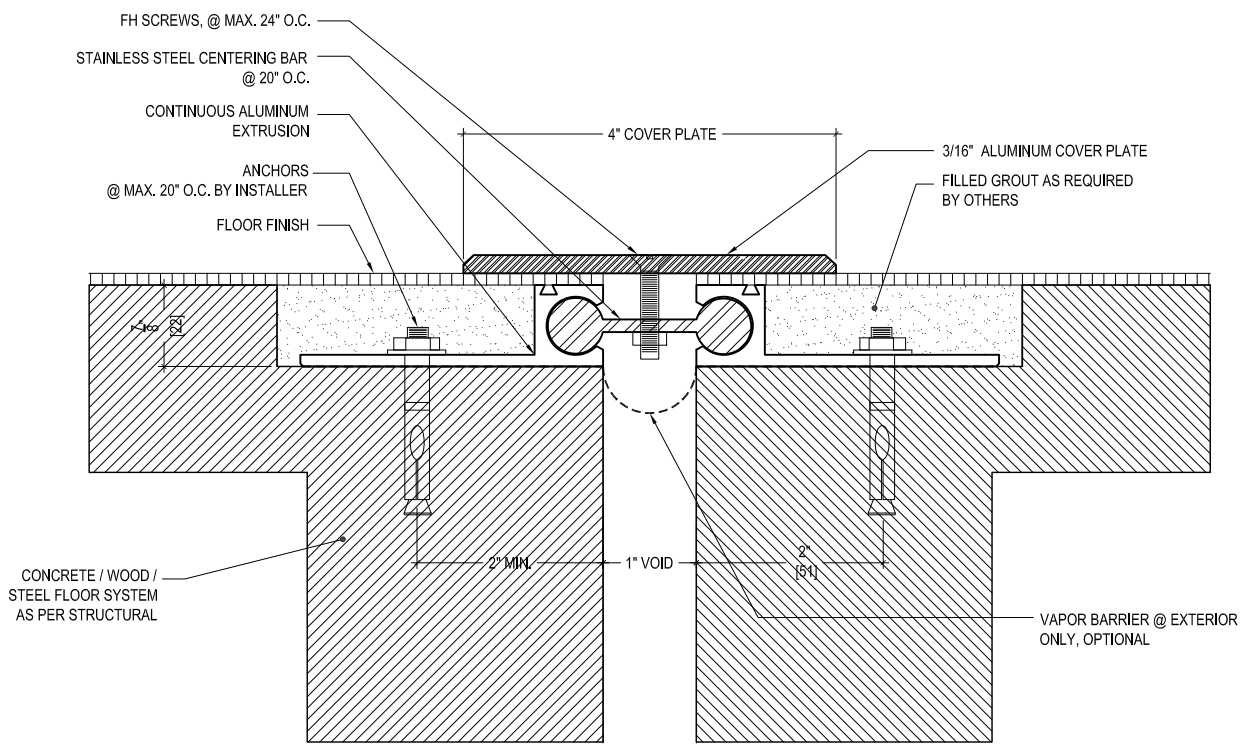


* BO-1	1" (25.40)	2" (50.80)	4" (101.60)
BO-2	2" (50.80)	4" (101.60)	6" (152.40)
BO-3	3" (76.20)	4 1/2" (114.30)	6 1/2" (156.10)
BO-3-3	3" (76.20)	6" (152.40)	8" (203.20)
BO-4	4" (101.60)	6" (152.40)	8" (203.20)
BO-4-4	4" (101.60)	8" (203.20)	10" (254.00)
BO-5	5" (127.00)	7 1/2" (190.50)	9 1/2" (241.30)
BO-5-5	5" (127.00)	10" (254.00)	12" (304.80)
BO-6	6" (152.40)	9" (228.60)	11" (279.40)
BO-6-6	6" (152.40)	12" (304.80)	14" (355.60)
BO-7	7" (177.80)	10 1/2" (266.70)	12 1/2" (317.50)
BO-7-7	7" (177.80)	14" (355.60)	16" (406.40)
BO-8	8" (203.20)	12" (304.80)	14" (355.60)
BO-8-8	8" (203.20)	16" (406.40)	18" (457.20)
BO-9	9" (228.60)	13 1/2" (342.90)	15 1/2" (393.70)
BO-9-9	9" (228.60)	18" (457.20)	20" (508.00)
BO-10	10" (254.00)	15" (381.00)	17" (431.80)



M.H. POWELL & CO., INC.
ARCHITECTURAL SEISMIC EXPANSION JOINT SYSTEMS

2313 YATES AVENUE | PHONE : (323) 887-0037
 COMMERCE, CA 90040 | FAX : (323) 887-0877
 | WEB : www.mhpowell.net

MODEL - BO-1

PROJECT : _____ PROJECT # : _____
 LOCATION : _____ DATE : _____
 ARCHITECT : _____
 CUSTOMER : _____