

MHP S.S. FASTENERS
w/ S.S. BONDED NEOPRENE WASHER
AND S.S. CENTERING BARS @ 20" O.C.

0.125" ALUM. COVER PLATE. MILL FINISH
(5052-H32)

CLOSURE CAP

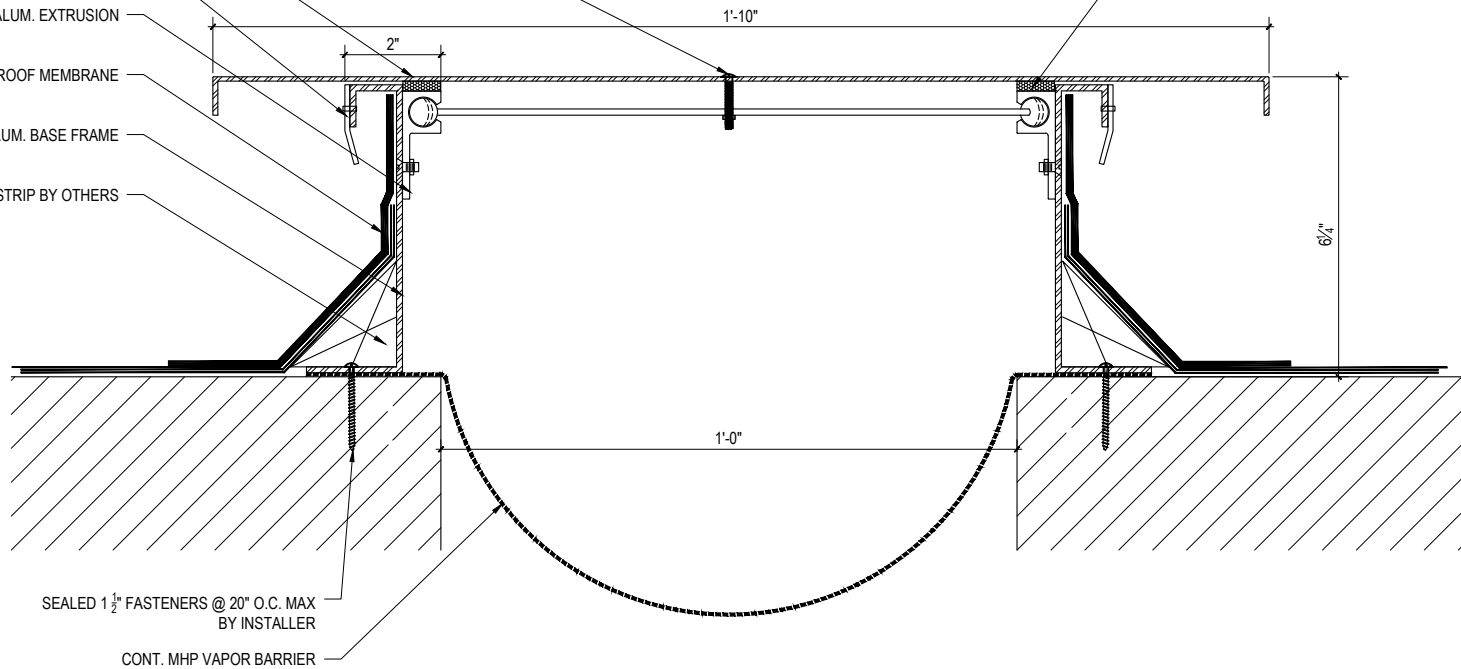
CONT. ALUM. EXTRUSION

ROOF MEMBRANE

ALUM. BASE FRAME

CANT STRIP BY OTHERS

WEATHER SEAL



SEALED 1 1/2\"/>

CONT. MHP VAPOR BARRIER



M.H. POWELL & CO., INC.
ARCHITECTURAL SEISMIC EXPANSION JOINT SYSTEMS

2313 YATES AVENUE | PHONE : (323) 887-0037
COMMERCE, CA 90040 | FAX : (323) 887-0877
WEB : www.mhpowell.net

**MODEL
CRR-12**

ROOF TO ROOF

PROJECT : _____ PROJECT # : _____
 LOCATION : _____ DATE : _____
 ARCHITECT : _____
 CUSTOMER : _____

PAGE #