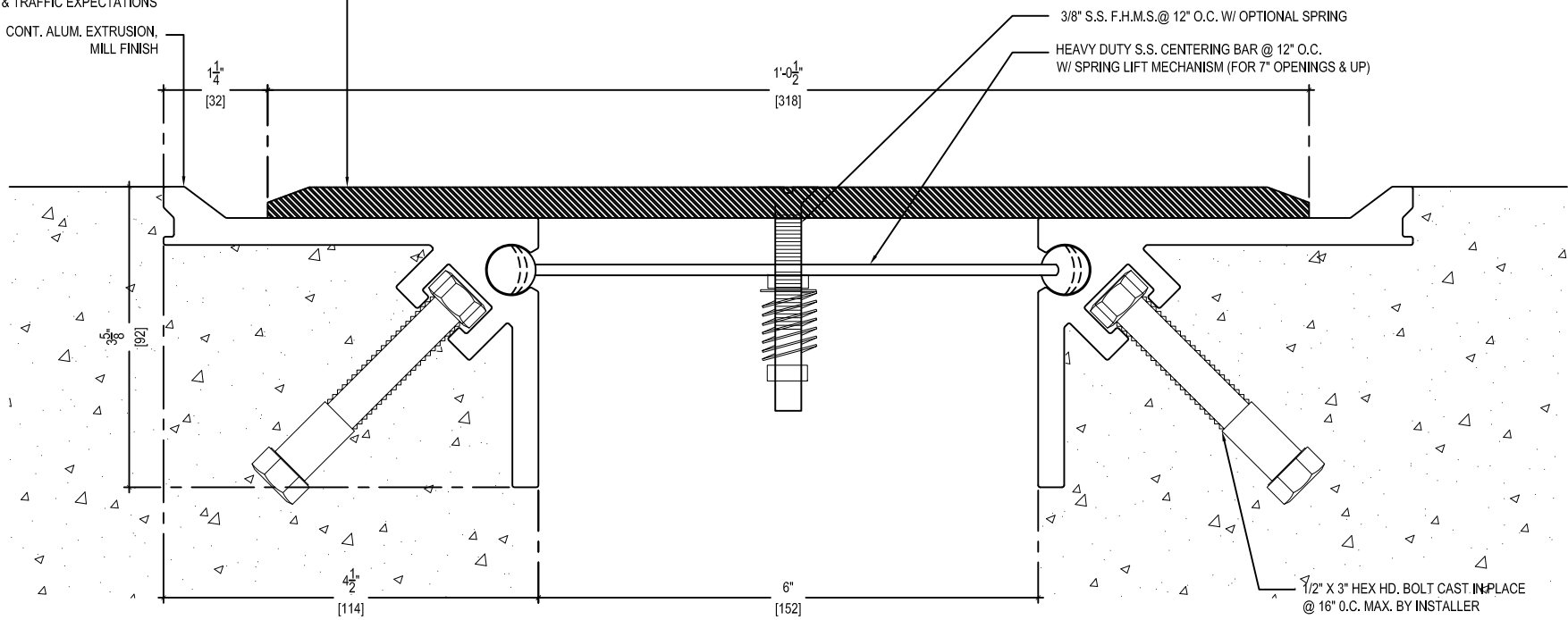


3/8" MILL FINISH ALUMINUM  
COVER PLATE (THICKNESS CAN  
BE CUSTOMIZED TO MATCH  
LOAD & TRAFFIC EXPECTATIONS)

CONT. ALUM. EXTRUSION,  
MILL FINISH



3/8" S.S. F.H.M.S. @ 12" O.C. W/ OPTIONAL SPRING  
HEAVY DUTY S.S. CENTERING BAR @ 12" O.C.  
W/ SPRING LIFT MECHANISM (FOR 7" OPENINGS & UP)

1/2" X 3" HEX HD. BOLT CAST IN PLACE  
@ 16" O.C. MAX. BY INSTALLER



**M.H. POWELL & CO., INC.**  
ARCHITECTURAL SEISMIC EXPANSION JOINT SYSTEMS

2313 YATES AVENUE | PHONE : (323) 887-0037  
COMMERCE, CA 90040 | FAX : (323) 887-0877  
WEB : www.mhpowell.net

**MODEL -**  
**HDCIP - 6**

PROJECT : \_\_\_\_\_ PROJECT # : \_\_\_\_\_  
LOCATION : \_\_\_\_\_ DATE : \_\_\_\_\_  
ARCHITECT : \_\_\_\_\_  
CUSTOMER : \_\_\_\_\_